

Weight & Balance (C-FSXL) *Amendment 8*

REFERENCE DOCUMENT ONLY. ALWAYS CONFIRM WITH OFFICIAL W&B DOCUMENT

2646 lbs (gross weight)	Weight (Lbs)	Arm (In.)	Moment (In.Lbs)	C of G
Empty Weight	1775.47	98.33	174574.84	98.33
Front Seats (x2)		90.6 In.		
Rear Seats (x2)		128.0 In.		
Baggage 1 (max 100lbs)		153.1 In.		
Baggage 2 (max 40lbs)		178.7 In.		
Zero Fuel Weight		-		
Fuel Loading		103.5 In.		
Takeoff Weight		-		
Fuel Required		103.5 In.		
Landing Weight		-		

Moment = Weight x Arm

C of G = Moment / Weight

Temperature:

Sky Condition:

Altimeter:

Visibility:

Wind:

Pressure Altitude:

Take-off Distance:

Density Altitude:

Landing Distance:

Standard passenger weights: (For reference only, actual weights must be used for flight dispatch)

Males (12+ yrs) = 206lbs (Summer) - 212lbs (Winter)

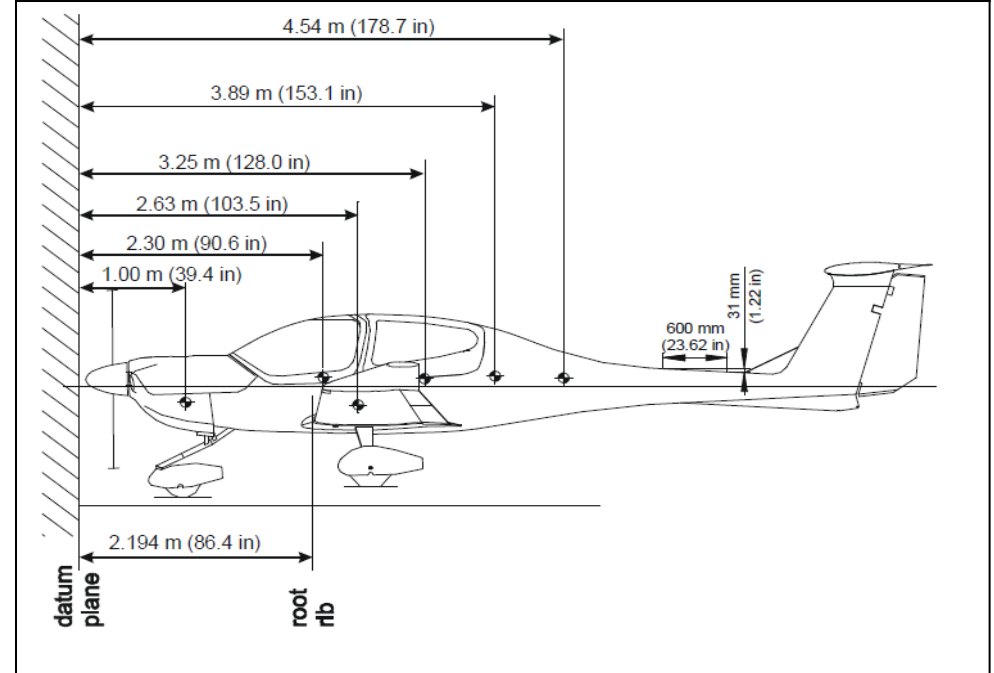
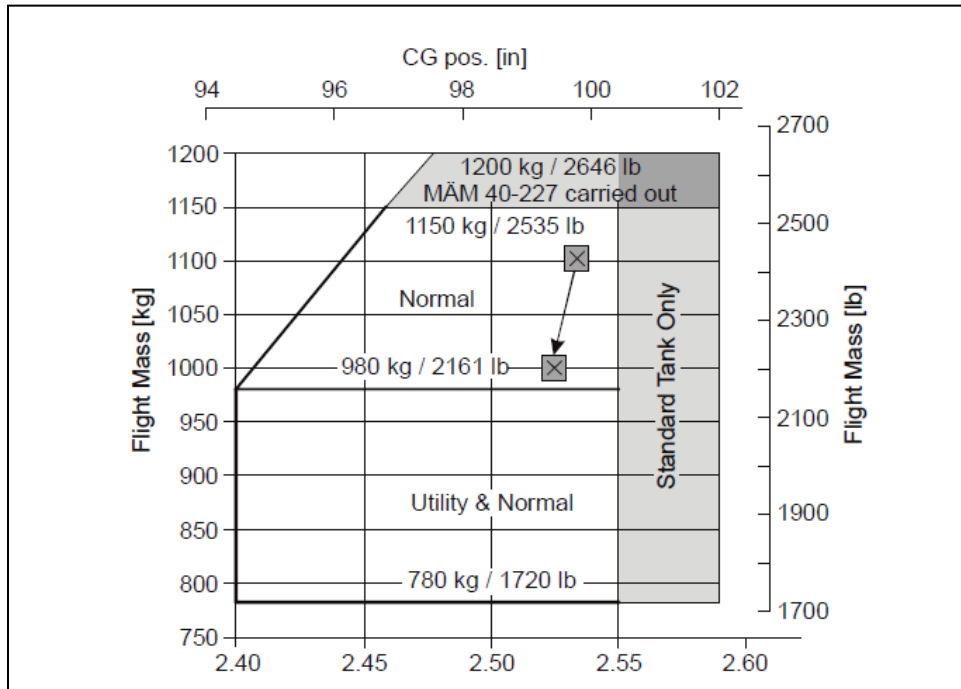
Females (12+ yrs) = 172lbs (Summer) - 178lbs (Winter)

(2-11 yrs) = 75lbs (Summer + Winter)

Infants (under 2 yrs) = 30lbs (Summer + Winter)

Children

Max Total Baggage – 100lbs



11/2/2024